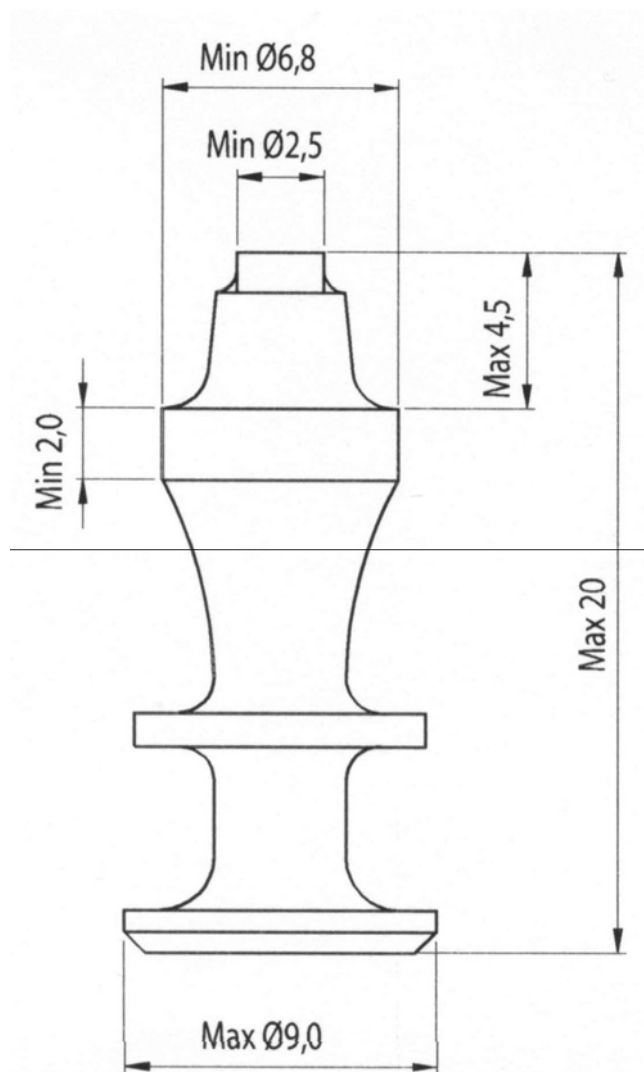


“Winter Rally 2017” Size Requirements for the Rally Studs



Note: dimensions in drawing are indicated in millimeters.

Studded racing tires must conform to the following

- studs must be solid, have cylindrical shape and be flatly chopped;
- cross-section of the studs be in full circular shape at any place of the stud;
- stud must not be tubular at any place of the stud;
- stud block must be solid, inner holes or tubes are not allowed;
- maximum diameter of the stud sole is 9 mm;
- minimum diameter of the metal stud core is 2,5 mm. Core must be solid, have cylindrical shape and be flatly chopped;
- studs must not be longer than 20 mm;
- maximum weight of the stud is 4 grams;
- studs must be mounted on the outside of the tire;
- maximum number of the studs must not exceed 20 units at any decimeter of wheel circumference.