



## Rallijs „ALŪKSNE 2017”

Date: 12.01.2017.

Time: 11:00

Subject: **BIĻETENS Nr. 1 / BULLETIN NO 1**

---

From: Sacensību vadītāja / The Clerk of the Course

To: Visiem dalībniekiem / All Competitors (Crew Members)

---

### **1. Sekojoši papildinājumi rallija papildus nolikuma punktā:**

#### **1. Following amendments are in rally supplementary regulations point:**

##### **12.1.6. Bonus punkti – “Power stage”**

##### **12.1.6. Bonus points – “Power stage”**

Latvijas Rallija Čempionāta dalībniekiem, bonus punkti tiek piešķirti saskaņā ar 2017.gada Latvijas Rallija Čempionāta nolikuma punktu 6.4.

For Latvian Rally championship participants, bonus points are awarded according to the 2017 Latvian Rally Championship Regulations, point 6.4.

### **2. Pievienota jauna maršruta karte (Pielikums Nr. 1 )**

#### **2. New rally itinerary attached (Appendix No 1 )**

### **3. Sekojošas izmaiņas rallija leģendas 33. lpp un 47. lpp**

#### **4. Following changes are in the Road book on page 33 and 47**

Gatis Cimdiņš

Sacensību vadītājs / Clerk of the Course

Biļetens apstiprināts LAF rallija komisijā 11.01.2017

Bulletin confirmed in LAF rally commission 11.01.2017

# Pielikums Nr.1

## Appendix Nr.1

### Maršruta karte / TIMETABLE Rallijs 1. aplis / RALLY LEG 1

Pielikums Nr. 1  
Appendix No. 1

LK/PS	Vietas nosaukums	PS km	Pābrauciens	Kopā	km/h	Laika norma	1 a/m laiks
TC/SS	Location	SS km	Liasion km	Total km	Average Speed	Target time	1st car due
0	TC 0 Alūksne						19:15
	Start no Refuel. Distance to next refuel	<b>33.77</b>	<b>55.24</b>	<b>89.01</b>			
1	TC1 Strautiņi 1		13.22	13.22	52.9	0:15	19:30
<b>SS 1</b>	<b>SS1 Eglīši 1</b>	<b>9.49</b>					<b>19:33</b>
2	TC 2 Cirakalns 1		20.01	29.50	50.57	0:35	20:08
<b>SS 2</b>	<b>SS2 Lūkumietis 1</b>	<b>14.79</b>					<b>20:11</b>
3	TC 3 Strautiņi 2		14.06	28.85	50.91	0:34	20:45
<b>SS 3</b>	<b>SS3 Eglīši 2</b>	<b>9.49</b>					<b>20:48</b>
3A	TC 3A Alūksne		7.95	17.44	47.56	0:22	21:10
	1. SEKCIJA/SECTION 1	33.77	55.24	89.01			
<b>1. APLIS/LEG 2</b>		<b>33.77</b>	<b>55.24</b>	<b>89.01</b>			

1. SEKCIJA / SECTION 1

### Maršruta karte/TIME TABLE Rallijs 2. aplis / RALLY LEG 2

Pielikums Nr. 1  
Appendix No. 1

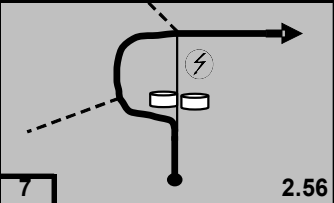


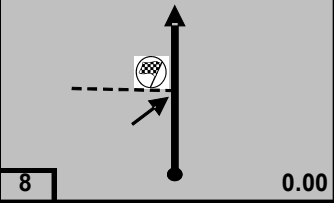




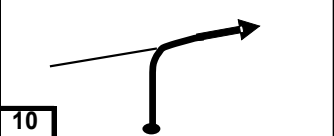
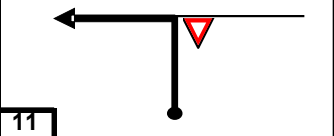

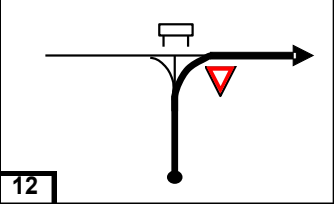



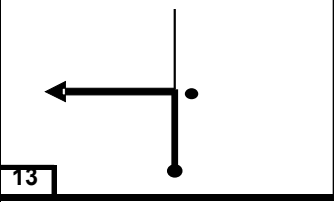

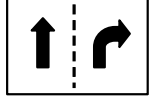
LK/PS	Vietas nosaukums	PS km	Pābrauciens	Kopā	km/h	Laika norma	1 a/m laiks
TC/SS	Location	SS km	Liasion km	Total km	Average Speed	Target time	1st car due
3B	TC3B Alūksne						8:45
<b>RZ1</b>	Refuel - All competitors Distance to next refuel	<b>23.70</b>	<b>55.69</b>	<b>79.39</b>			
4	TC4 Skrejas-1		9.64	9.64	48.20	0:12	8:57
<b>SS 4</b>	<b>SS4 Māriņkalns-1</b>	<b>7.89</b>					<b>9:00</b>
5	TC5 Niedras-1		5.00	12.89	51.56	0:15	9:15
<b>SS 5</b>	<b>SS5 Ozolkalni-1</b>	<b>5.01</b>					<b>9:18</b>
6	TC6 Sauleskalns-1		16.99	22.00	52.8	0:25	9:43
<b>SS 6</b>	<b>SS6 korneti-1</b>	<b>10.80</b>					<b>9:46</b>
6A	Alūksne regroup in		24.06	34.86	56.53	0:37	10:23
	2 SEKCIJA/SECTION 2	23.70	55.69	79.39			
6B	regroup out-service in					0:15	10:38
<b>SP A</b>	<b>Service park "ALUKSNE"</b>	<b>23.70</b>	<b>55.69</b>	<b>79.39</b>		<b>0:30</b>	
6C	Aluksne service out						11:08
<b>RZ2</b>	Refuel - All competitors Distance to next refuel	<b>23.70</b>	<b>55.69</b>	<b>79.39</b>			
7	TC7 Skrejas-2		9.64	9.64	48.20	0:12	11:20
<b>SS 7</b>	<b>SS7 Māriņkalns-2</b>	<b>7.89</b>					<b>11:23</b>
8	TC8 Niedras-2		5.00	12.89	51.56	0:15	11:38
<b>SS 8</b>	<b>SS8 Ozolkalni-2</b>	<b>5.01</b>					<b>11:41</b>
9	TC9 Sauleskalns-2		16.99	22.00	52.8	0:25	12:06
<b>SS 9</b>	<b>SS9 Korneti-2</b>	<b>10.80</b>					<b>12:09</b>
9A	Alūksne regroup in		24.06	34.86	56.53	0:37	12:46
	3 SEKCIJA/SECTION 3	23.70	55.69	79.39			
9B	regroup out-service in					0:15	13:01
<b>SP B</b>	<b>Service park "ALUKSNE"</b>	<b>23.70</b>	<b>55.69</b>	<b>79.39</b>		<b>1:10</b>	
9C	Aluksne service out						14:11
<b>RZ3</b>	Refuel - All competitors Distance to next refuel	<b>14.79</b>	<b>19.87</b>	<b>34.66</b>			
10	TC10 Cirakalns-2		16.43	16.43	49.29	0:20	14:31
<b>SS 10</b>	<b>SS10 Lūkumietis-2</b>	<b>14.79</b>					<b>14:34</b>
11	Alūksne regroup in		3.44	18.23	54.69	0:20	14:54
	4 SEKCIJA/SECTION 4	14.79	19.87	34.66			
<b>2.APLIS/LEG 2</b>		<b>62.19</b>	<b>131.25</b>	<b>193.44</b>			

2. SEKCIJA / SECTION 2

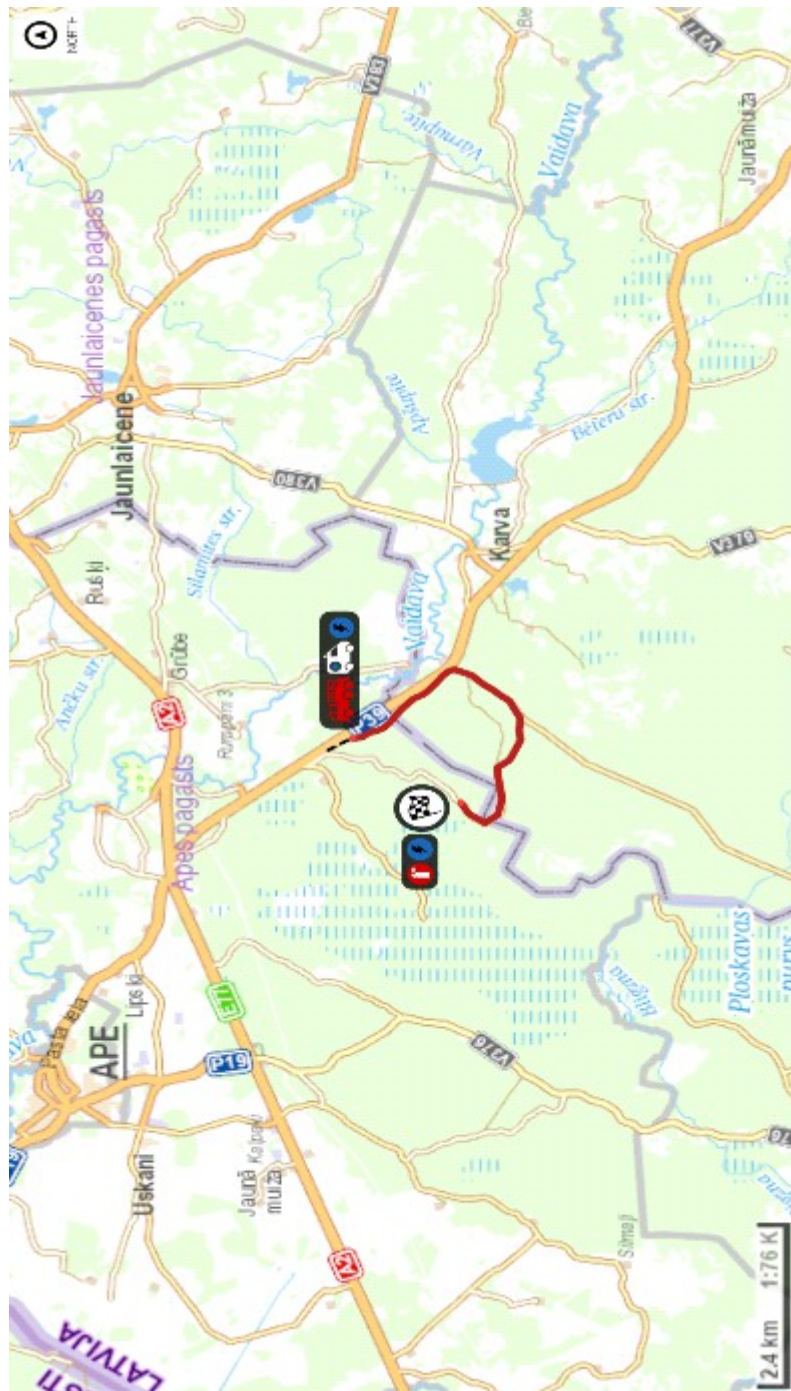
3. SEKCIJA / SECTION 3

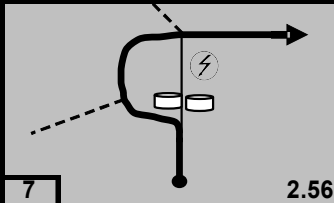
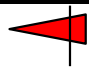

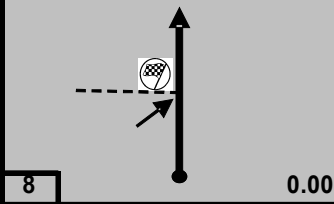

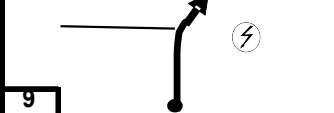


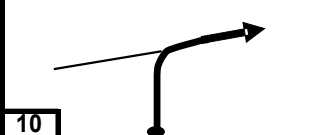
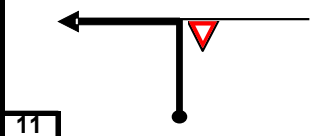

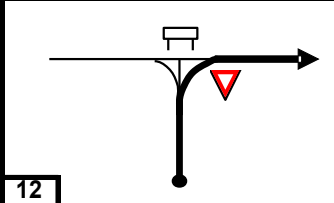



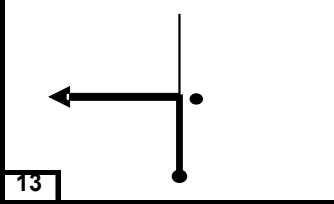
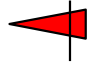
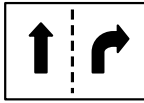
4. SEKCIJA / SECTION 4

1. APLIS/ LEG 1	33.77	55.24	89.01	38%
2. APLIS/ LEG 2	62.19	131.25	193.44	32%
Kopā/Total	95.96	186.49	282.45	34%

TC 5 Niedras 1		Distance....22,00 km.	Page	
TC 6 Sauleskalns 1		Time allowed 25'	33	
		Average.....52,80 Kph.	Section	
			2	
<b>SS 5 Ozolkalni 1 7.19 km 5.01 km.</b>				
Kms		DIRECTION	INFORMATION	Kms to TC
Total	Inter			
4.63	!!! 1.78		   R-1 N 57°29'443'' E 26°45'525''	17.37
7.19 <b>5.01</b>	<b>0.38</b>		 SS 5 Finish  N 57°49'299'' E 26°76'382''	14.81 <b>16.99</b>
7.43 <b>5.22</b>	0.24 <b>0.21</b>		  Radio N 57°30'599'' E 26°46'477''	14.57 <b>16.78</b>
7.43	2.21			14.57
7.55	!!! 0.12			14.45
9.67	!!! 2.12		  	12.33
21.16	!!! 11.49		 	0.84
	<b>0.84</b>			

**SS 5,8 Ozolkalni - 1 7.19 km. 5.01 km**



TC 7 Niedras 2		Distance....22,00 km.		Page
TC 8 Sauleskalns 2		Time allowed 25'		<b>47</b>
		Average.....52,80 Kph.		Section
				<b>3</b>
<b>SS 8 Ozolkalni 2 7.19-km 5.01 km.</b>				
Kms		DIRECTION	INFORMATION	Kms to TC
Total	Inter			
4.63	1.78		  R-1 N 57°29'443'' E 26°45'525''	17.37
7.19	2.56		 SS 8 Finish N 57°49'299'' E 26°76'382''	14.81 <b>16.99</b>
7.43	0.24		  Radio N 57°30'599'' E 26°46'477''	14.57 <b>16.78</b>
7.43	2.21			14.57
7.55	0.12			14.45
9.67	2.12		  	12.33
21.16	11.49		 	0.84
	<b>0.84</b>			